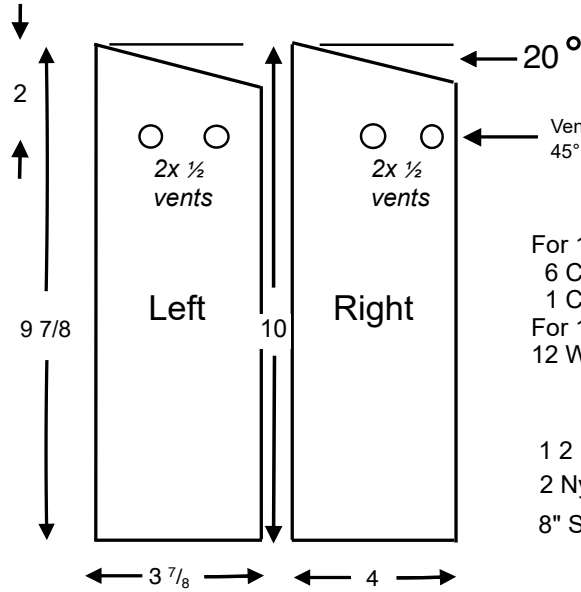
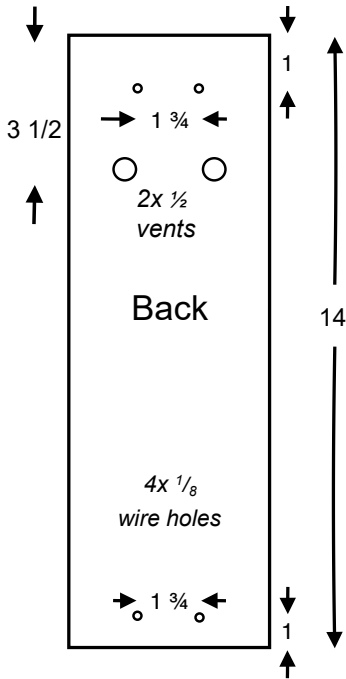


JANSSEN BLUEBIRD HOLE BOX

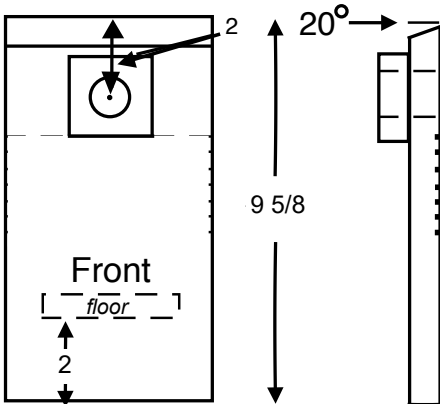
Bella Vista Bluebird Society

« dimensions in inches, not to scale »

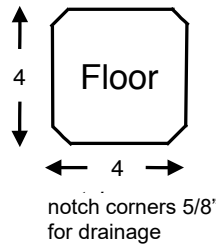
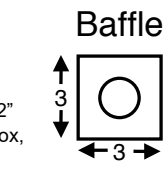


- MATERIALS**
- For 12 boxes, lumber:
 6 Cedar 1"x6"x8'
 1 Cedar 1"x8"x8'
- For 1 box, hardware:
 12 Wood Screws, T15, #8, 1 1/2", Yellow
 Poly, Round Washer, Interior/Exterior,
 100 count (580212 Lowes)
 1 2 1/4 Galvanized Nail for door closure
 2 Nylon Washers for door hinges
 8" Silicone Caulk, Clear

← 5 1/2 →



6x kerf cuts at 1/2" intervals inside box, all 1/8" deep.

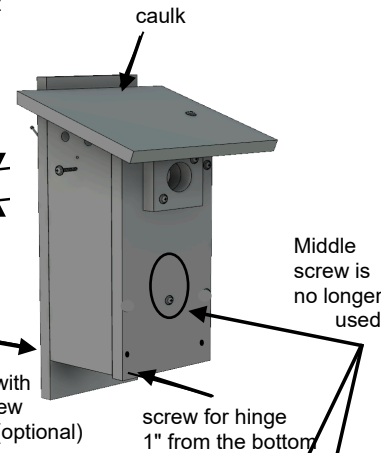


Drill 11/64" nail hole downward 1 1/2" deep at a 45° angle on Back, 4" from top and through door panel.

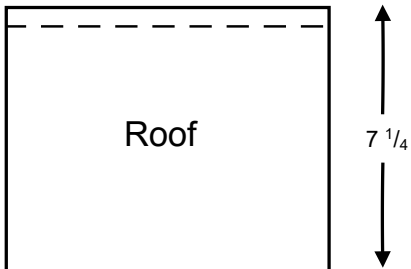
Hole Dimension 1 1/2"

Screw aligns with front hinge screw

Use a washer with each hinge screw to center door (optional)



← 8 →



Grain runs on 8" dimension

